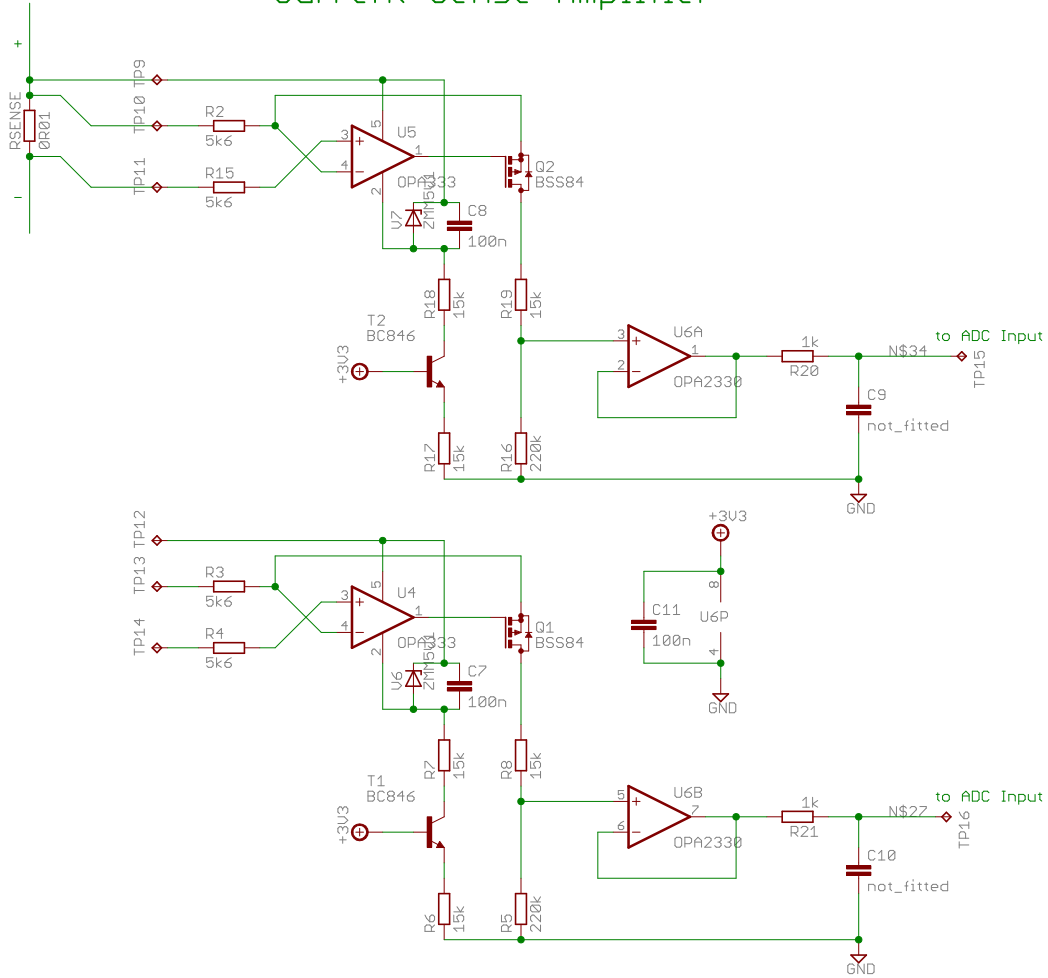


Current Sense Amplifier



Voltage Sense Amplifier

