

Sheet: power supply  
 ▷AC\_IN\_L +59V<  
 ▷AC\_IN\_N GND\_PWR<  
 ▷Ground -59V<  
 +24V<  
 GND\_24V<  
 File: pwramp3-7.sch

Sheet: switches  
 ▷10V\_IN BIAS<  
 U/I\_1<  
 U/I\_2<  
 U/I\_3<  
 INV\_1<  
 INV\_2<  
 INV\_3<  
 BTL\_2<  
 1-2\_3<  
 3ph<  
 2ph<  
 File: pwramp3-8.sch

Sheet: power  
 ▷+24V +10V<  
 ▷GND\_24 GND\_10<  
 FAN+<  
 GND\_FAN<  
 File: pwramp3-5.sch

Sheet: switch matrix  
 ▷IN\_1 OUT1+<  
 ▷GND\_1 OUT1-<  
 ▷IN\_2 OUT1\_GND<  
 ▷GND\_2 OUT2+<  
 ▷IN\_3 OUT2-<  
 ▷GND\_3 OUT2\_GND<  
 OUT3+<  
 OUT3-<  
 OUT3\_GND<  
 OUT\_P+<  
 OUT\_P-<  
 OUT\_P\_GND<  
 IN\_P\_0<  
 IN\_P\_120<  
 IN\_P\_240<  
 IN\_P\_90<  
 IN\_P\_180<  
 -1<  
 -2<  
 -3<  
 BTL<  
 1-2<  
 3ph<  
 2ph<  
 GND\_REL<  
 File: pwramp3-6.sch

Sheet: phase shifter  
 ▷0 IN+<  
 ▷120 IN-<  
 ▷240 IN\_GND<  
 ▷90 +12V<  
 GND<  
 -12V<  
 File: pwramp3-3.sch

Sheet: isolated power  
 +12V\_A<  
 GND\_A<  
 -12V\_A<  
 +12V\_B<  
 GND\_B<  
 -12V\_B<  
 +12V\_C<  
 GND\_C<  
 -12V\_C<  
 +12V\_D<  
 GND\_D<  
 -12V\_D<  
 +12V\_E<  
 GND\_E<  
 -12V\_E<  
 +12V\_F<  
 GND\_F<  
 -12V\_F<  
 +12V\_G<  
 GND\_G<  
 -12V\_G<  
 File: pwramp3-4.sch

Sheet: buffer 1  
 ▷IN+ P+<  
 ▷IN- P-<  
 ▷IN\_GND P-<  
 +12V\_1<  
 GND1<  
 -12V\_1<  
 File: pwramp3-2.sch

Sheet: buffer 2  
 ▷IN+ P+<  
 ▷IN- P-<  
 ▷IN\_GND P-<  
 +12V\_1<  
 GND1<  
 -12V\_1<  
 File: pwramp3-2.sch

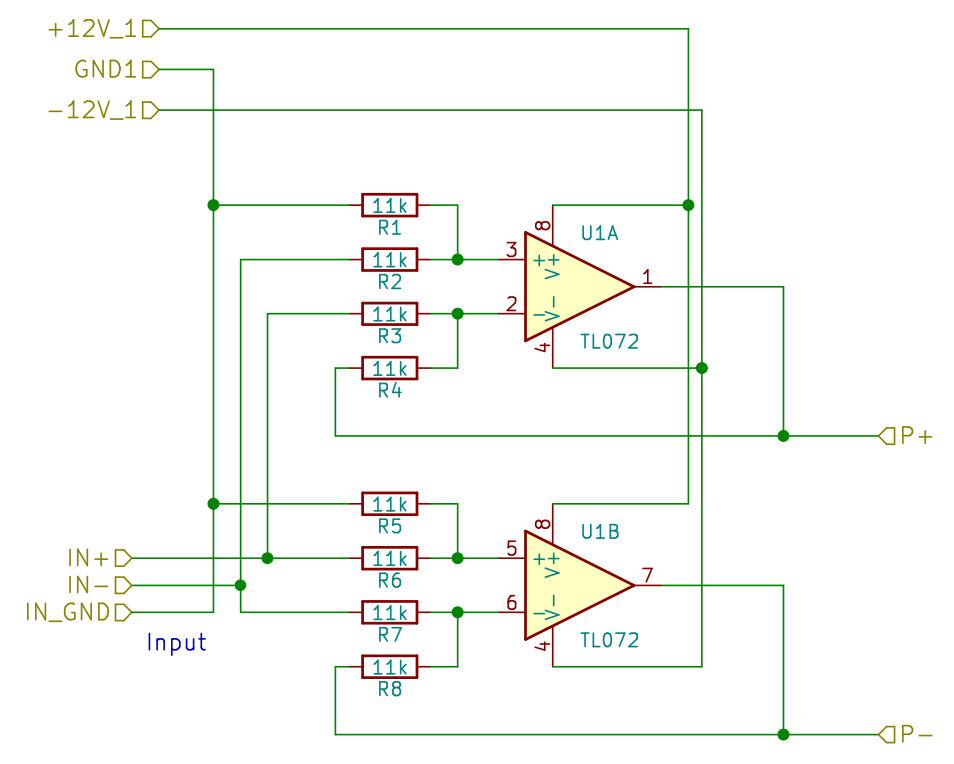
Sheet: buffer 3  
 ▷IN+ P+<  
 ▷IN- P-<  
 ▷IN\_GND P-<  
 +12V\_1<  
 GND1<  
 -12V\_1<  
 File: pwramp3-2.sch

Sheet: power amp 1  
 ▷I+<  
 ▷I-<  
 +12V\_1<  
 GND1<  
 -12V\_1<  
 +12V\_2<  
 GND2<  
 -12V\_2<  
 RLJ+<  
 RLJ-<  
 DIS\_B+<  
 DIS\_B-<  
 File: pwramp3-1.sch

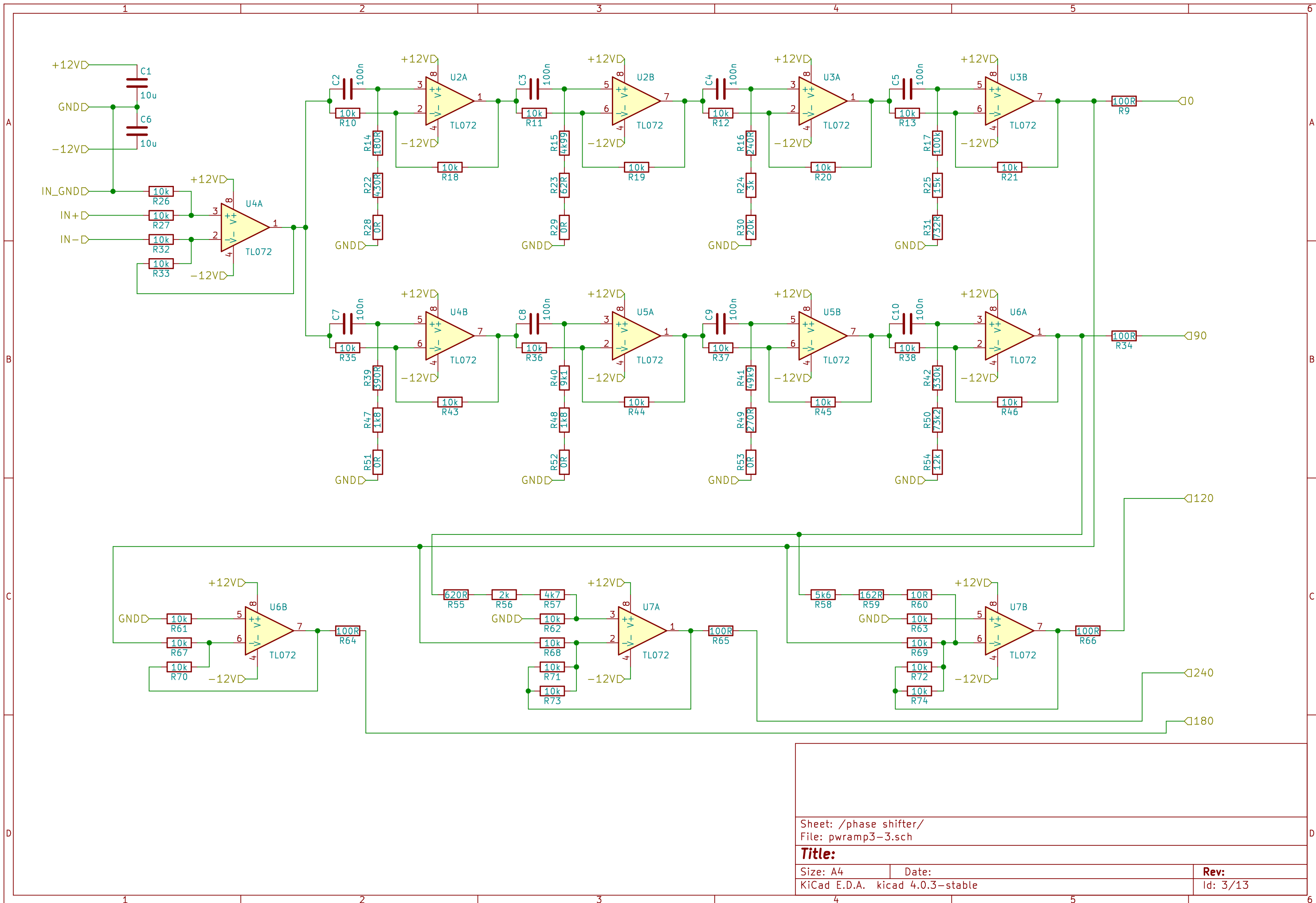
Sheet: power amp 2  
 ▷I+<  
 ▷I-<  
 +12V\_1<  
 GND1<  
 -12V\_1<  
 +12V\_2<  
 GND2<  
 -12V\_2<  
 RLJ+<  
 RLJ-<  
 DIS\_B+<  
 DIS\_B-<  
 File: pwramp3-1.sch

Sheet: power amp 3  
 ▷I+<  
 ▷I-<  
 +12V\_1<  
 GND1<  
 -12V\_1<  
 +12V\_2<  
 GND2<  
 -12V\_2<  
 RLJ+<  
 RLJ-<  
 DIS\_B+<  
 DIS\_B-<  
 File: pwramp3-1.sch

Sheet: /		
File: pwramp3.sch		
<b>Title:</b>		
Size: A3	Date:	Rev:
KiCad E.D.A.	kiCad 4.0.3-stable	Id: 1/13



Sheet: /buffer 1/		
File: pwramp3-2.sch		
<b>Title:</b>		
Size: A4	Date:	<b>Rev:</b>
KiCad E.D.A. kicad 4.0.3-stable		Id: 2/13

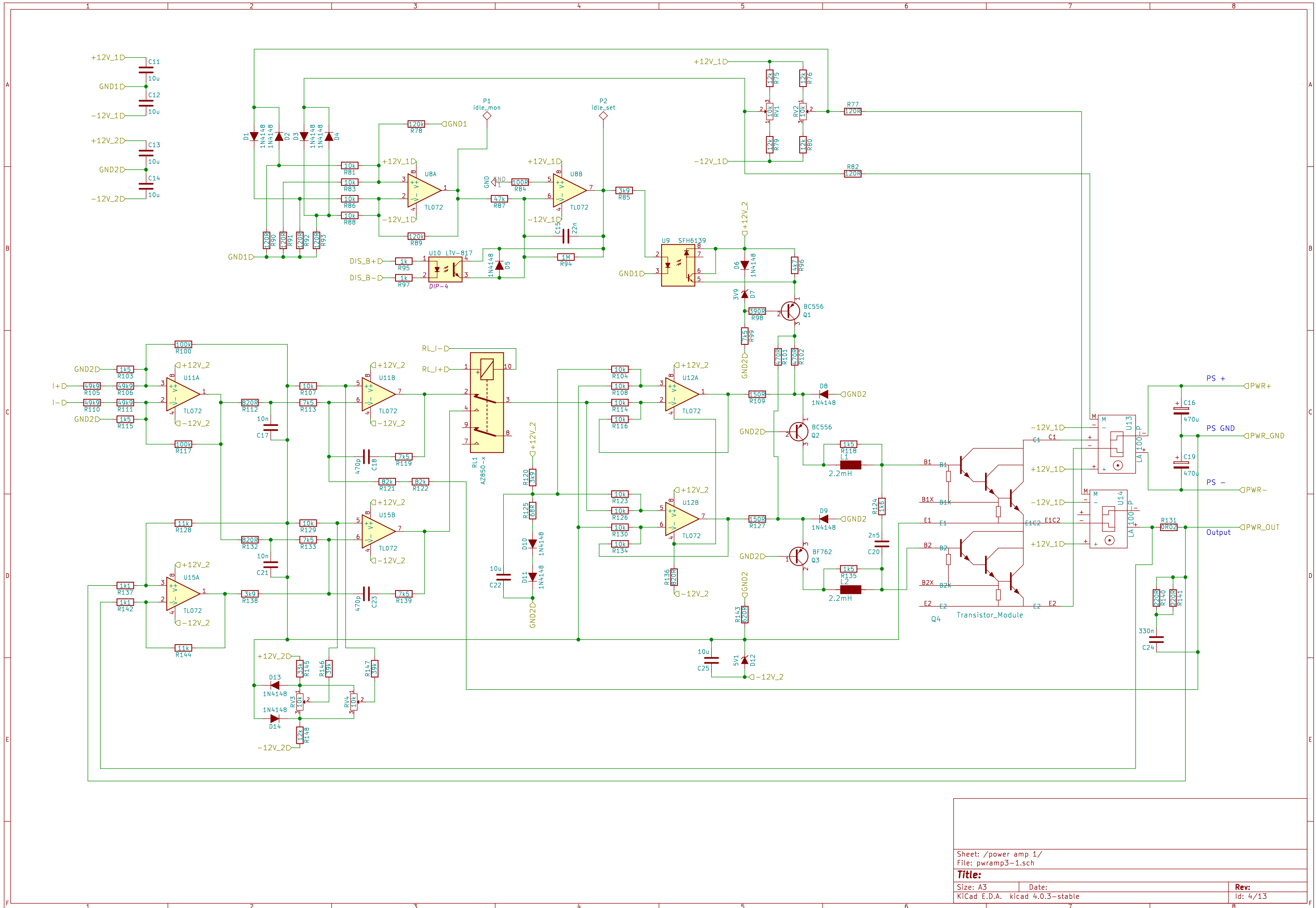


Sheet: /phase shifter/  
 File: pwramp3-3.sch

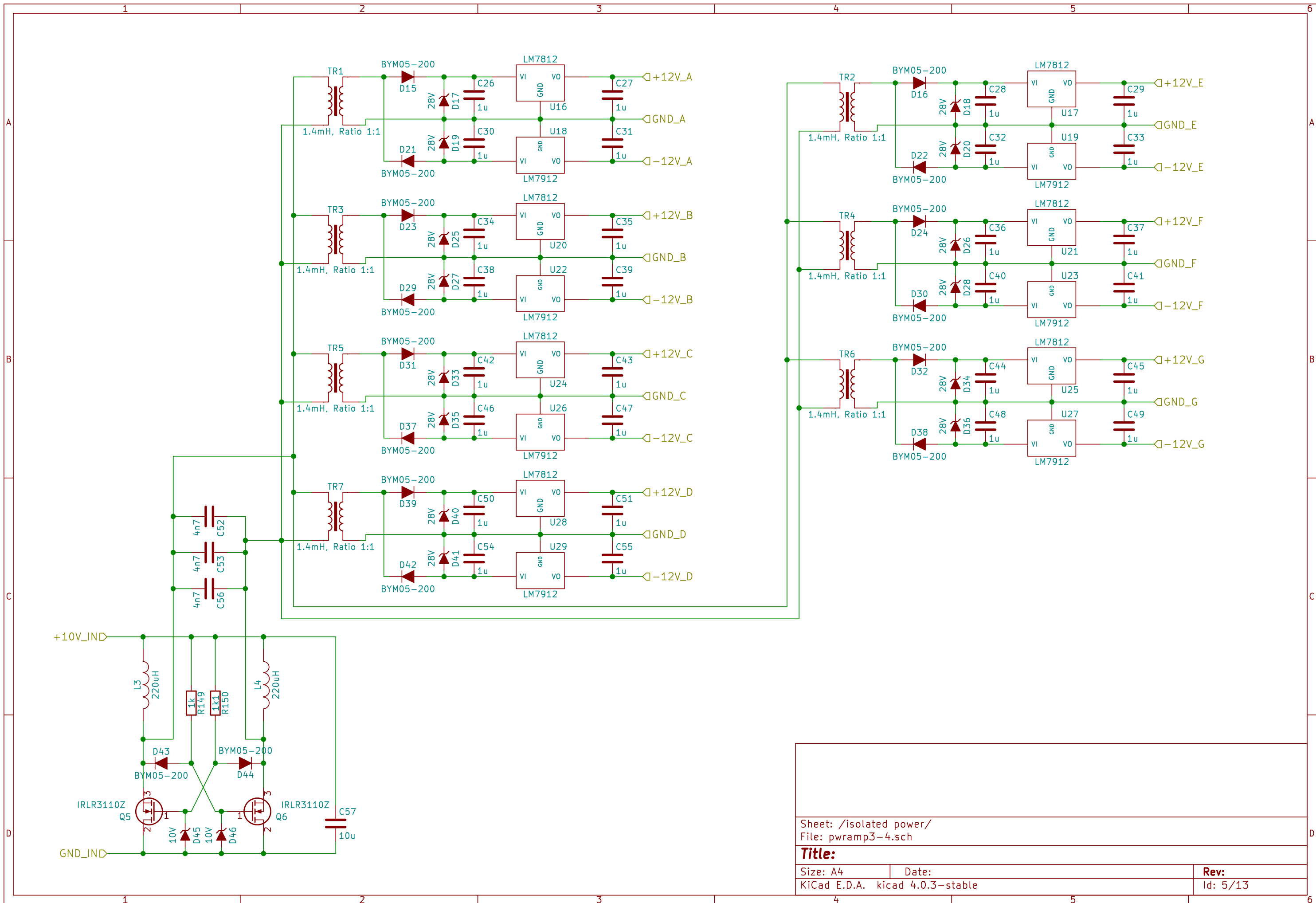
**Title:**

Size: A4      Date:  
 KiCad E.D.A. kicad 4.0.3-stable

**Rev:**  
 Id: 3/13



Sheet: /power amp 1/  
 File: pwramp3-1.sch  
**Title:**  
 Size: A3 Date:  
 KiCad E.D.A. kicad 4.0.3-stable  
 Rev:  
 Id: 4/13



Sheet: /isolated power/  
 File: pwramp3-4.sch  
**Title:**  
 Size: A4      Date:  
 KiCad E.D.A. kicad 4.0.3-stable  
**Rev:**  
 Id: 5/13

1

2

3

4

5

6

A

A

+24VD

GND\_24D

<+10V

<GND\_10

B

B

<FAN+

<GND\_FAN

C

C

D

D



Sheet: /power/  
File: pwramp3-5.sch

**Title:**

Size: A4	Date:	<b>Rev:</b>
KiCad E.D.A. kicad 4.0.3-stable		Id: 6/13

1

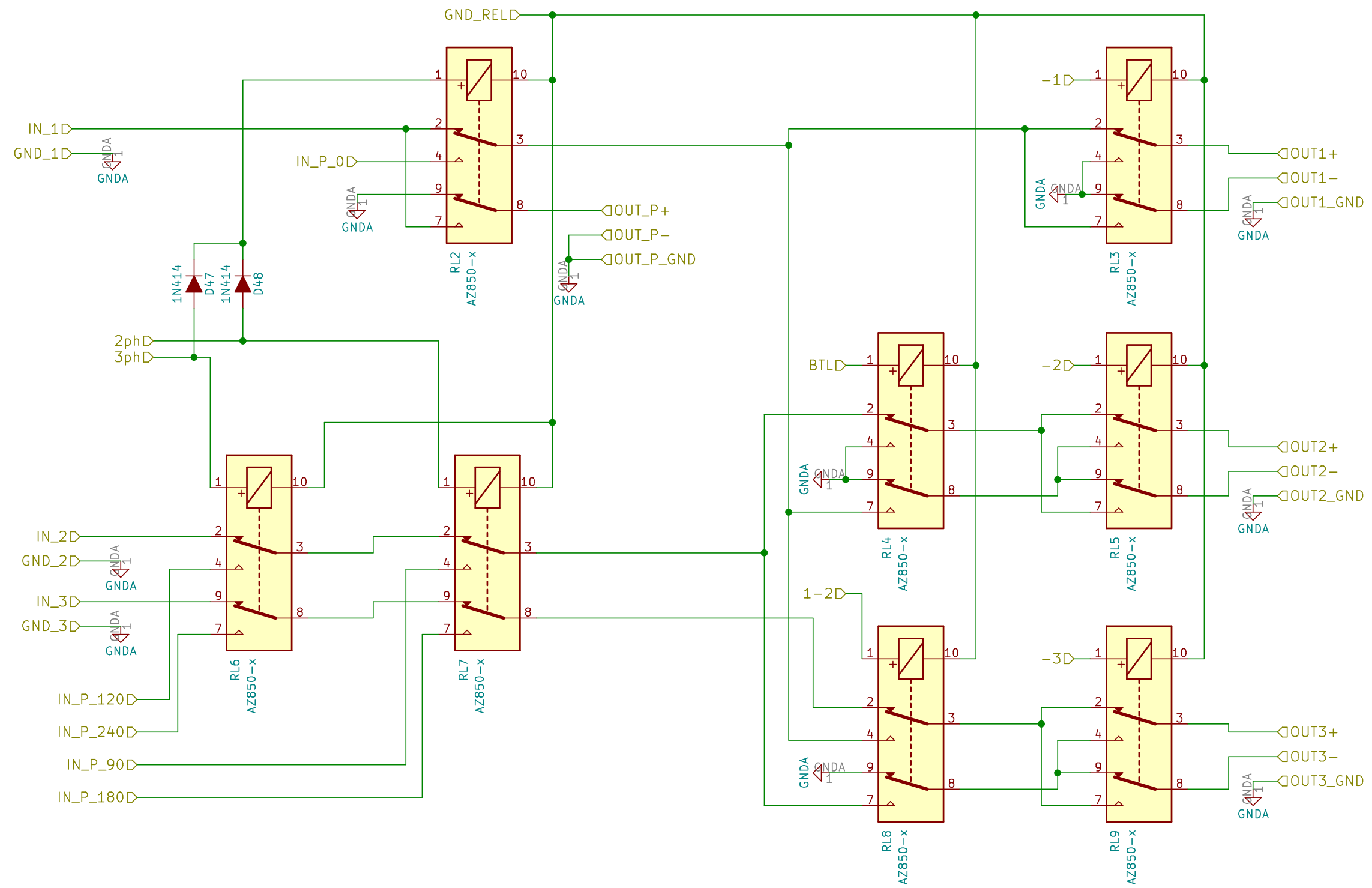
2

3

4

5

6

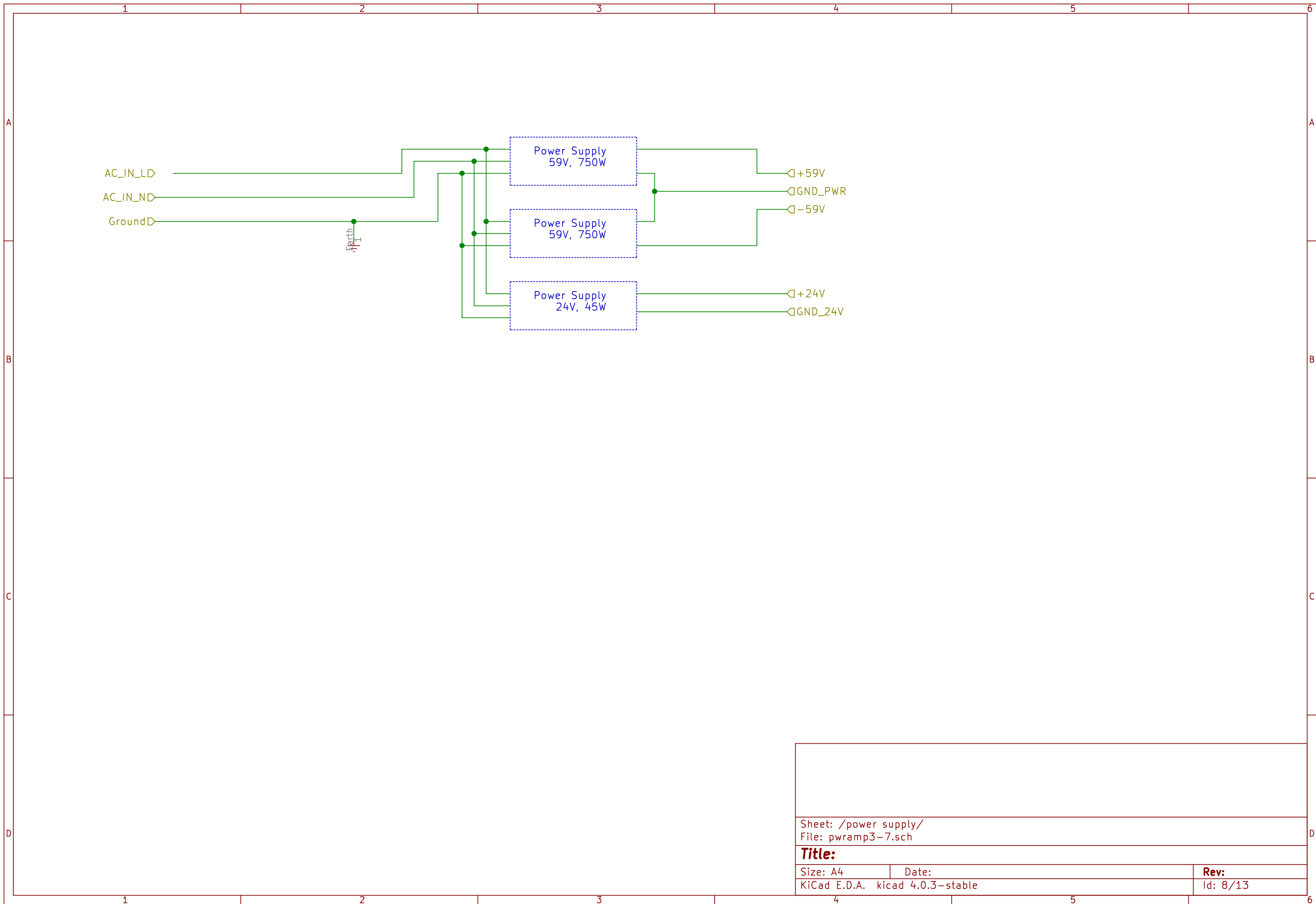


Sheet: /switch matrix/  
 File: pwramp3-6.sch

**Title:**

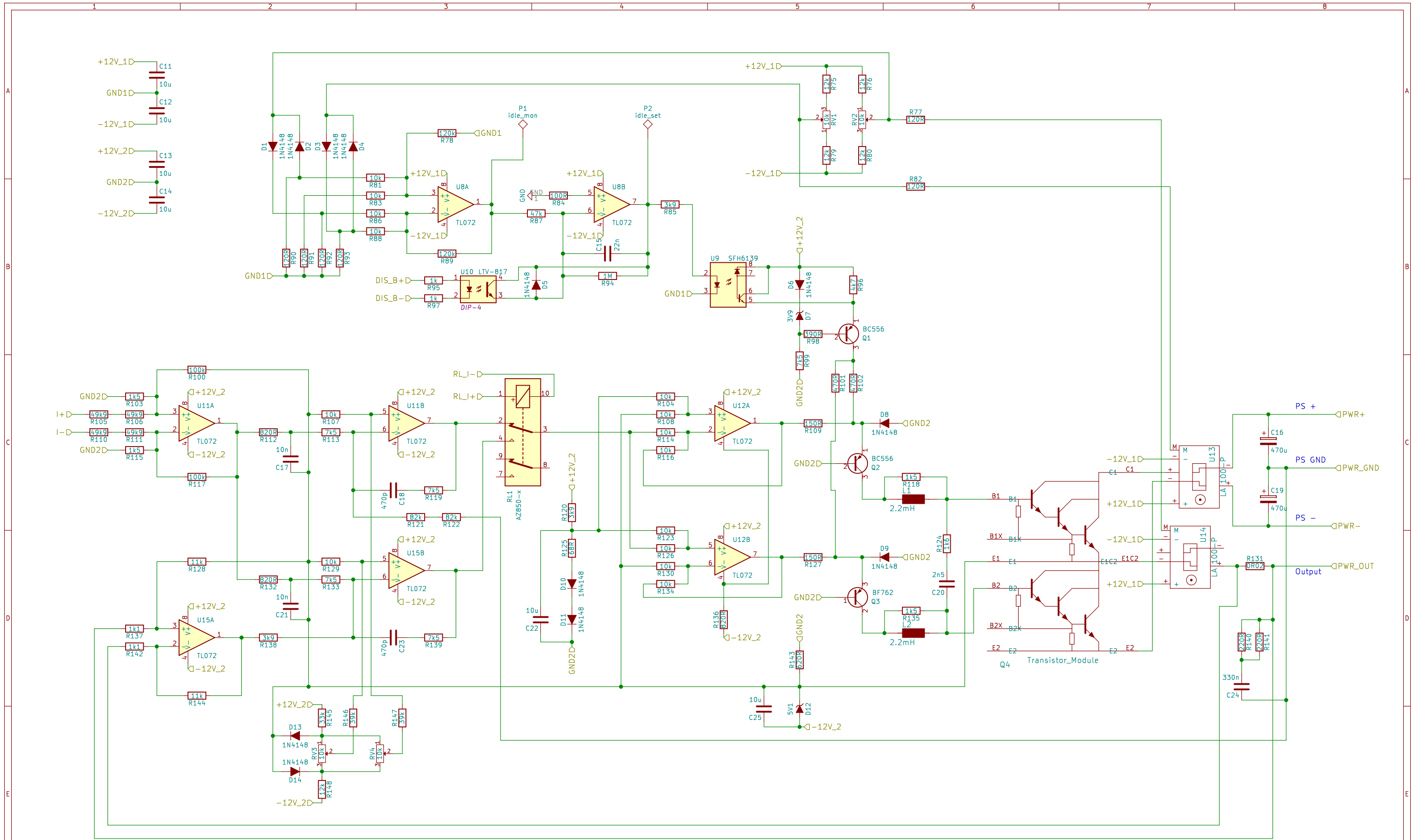
Size: A4      Date:  
 KiCad E.D.A. kicad 4.0.3-stable

**Rev:**  
 Id: 7/13



Sheet: /power supply/		Date:	
File: pwramp3-7.sch		Rev:	
Size: A4	KiCad E.D.A. kicad 4.0.3-stable		Id: 8/13

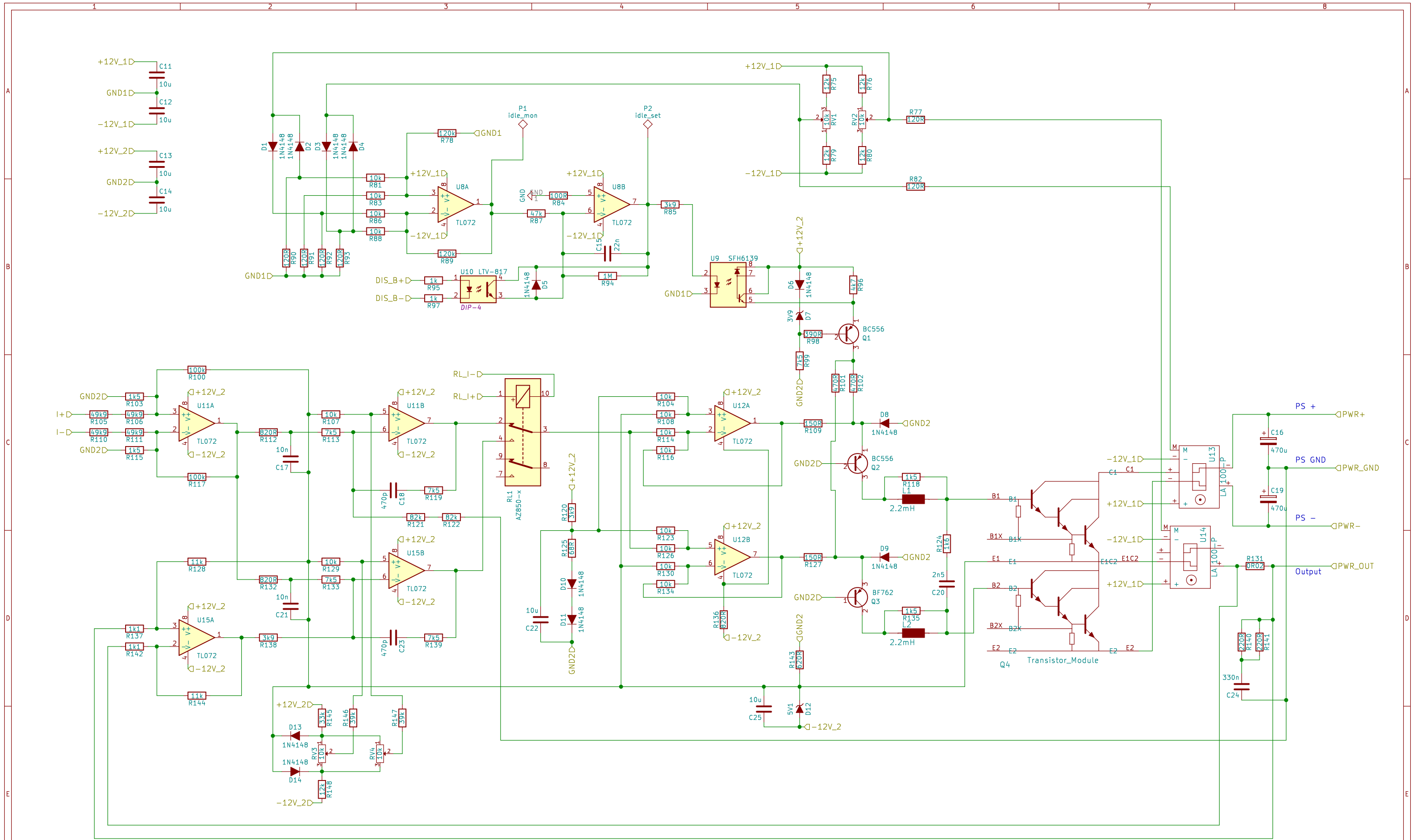




Sheet: /power amp 2/  
 File: pwramp3-1.sch

**Title:**

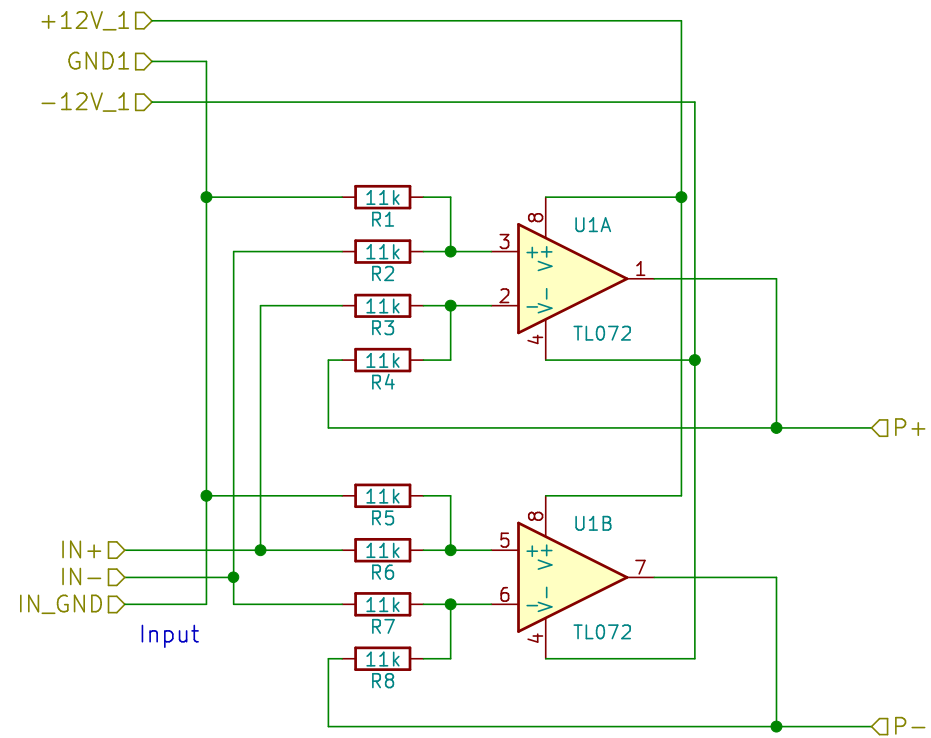
Size: A3	Date:	Rev:
KiCad E.D.A. kicad 4.0.3-stable		Id: 9/13



Sheet: /power amp 3/  
 File: pwramp3-1.sch

**Title:**

Size: A3	Date:	Rev:
KiCad E.D.A. kicad 4.0.3-stable		Id: 10/13

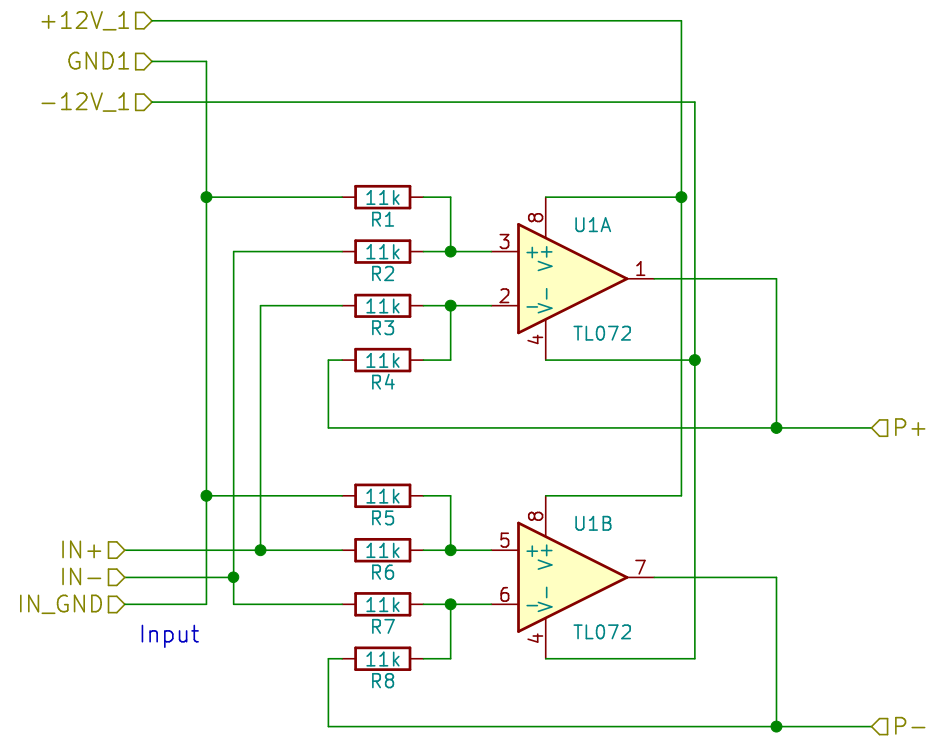


Sheet: /buffer 2/  
 File: pwramp3-2.sch

**Title:**

Size: A4      Date:  
 KiCad E.D.A. kicad 4.0.3-stable

**Rev:**  
 Id: 11/13

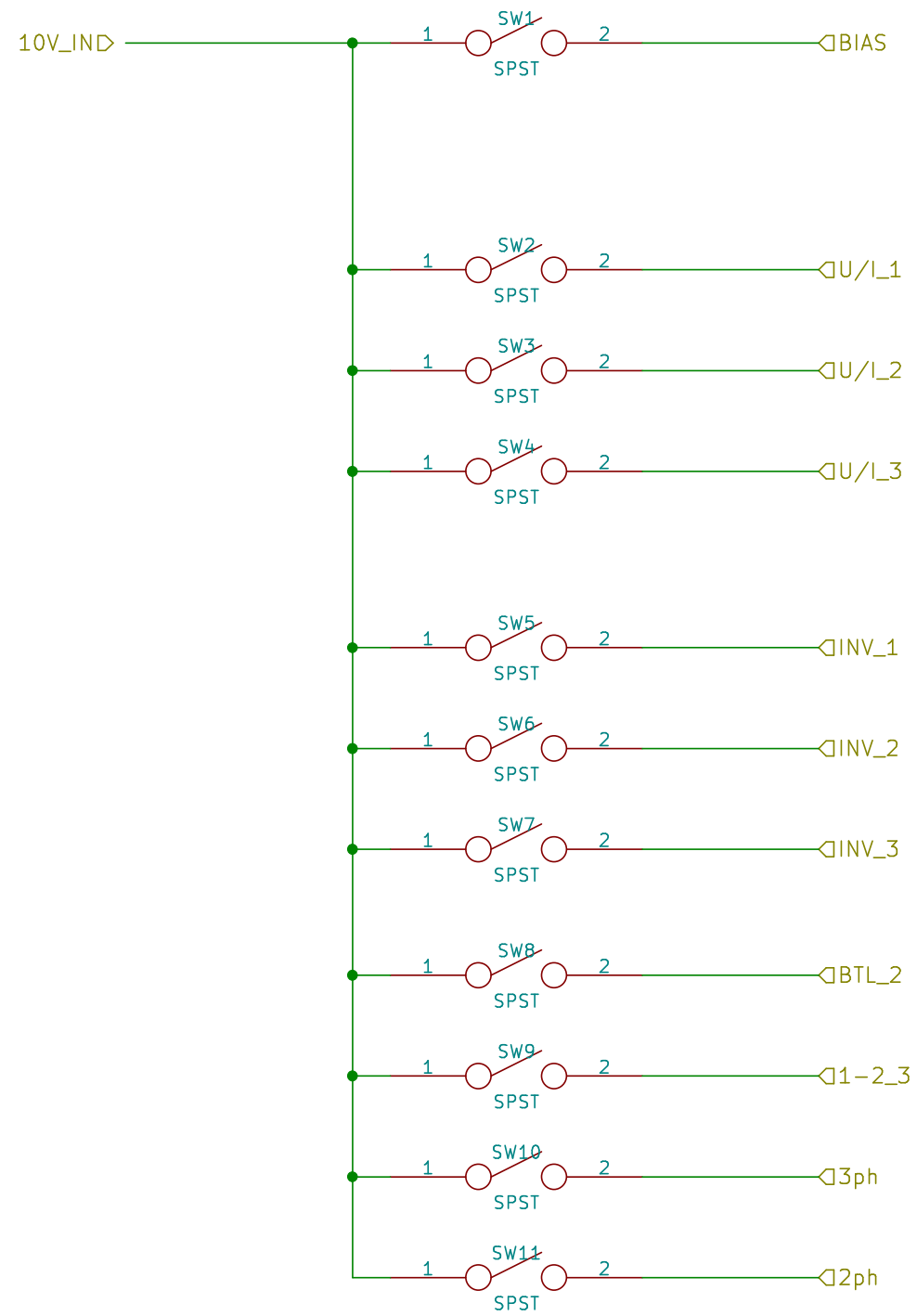


Sheet: /buffer 3/  
 File: pwramp3-2.sch

**Title:**

Size: A4      Date:  
 KiCad E.D.A. kicad 4.0.3-stable

**Rev:**  
 Id: 12/13



Sheet: /switches/  
 File: pwramp3-8.sch

**Title:**

Size: A4      Date:  
 KiCad E.D.A. kicad 4.0.3-stable

**Rev:**  
 Id: 13/13